

Technical data sheet

Product features



Slicer gear, blade 275 mm teflon

Model	SAP Code	00014117
--------------	-----------------	----------



- Blade type: Teflon
- Blade diameter [mm]: 275
- Cutting thickness [mm]: 0 - 14
- Useful Cut [mm]: 230 x180
- Transfer type: Snail
- Material: Aluminium
- Safety cover: transparent plexiglass
- Safety element: motor with fan and overheating protection
stainless steel blade
guard
transparent finger protection
- Suitable consumer: suitable for catering operations
- Table position: Oblique
- On/Off button: Yes
- Continuous work limit: running time without limitation

SAP Code	00014117	Loading	230 V / 1N - 50 Hz
Net Width [mm]	535	Blade type	Teflon
Net Depth [mm]	425	Blade diameter [mm]	275
Net Height [mm]	400	Cutting thickness [mm]	0 - 14
Net Weight [kg]	18.00	Useful Cut [mm]	230 x180
Power electric [kW]	0.220		

Technical data sheet

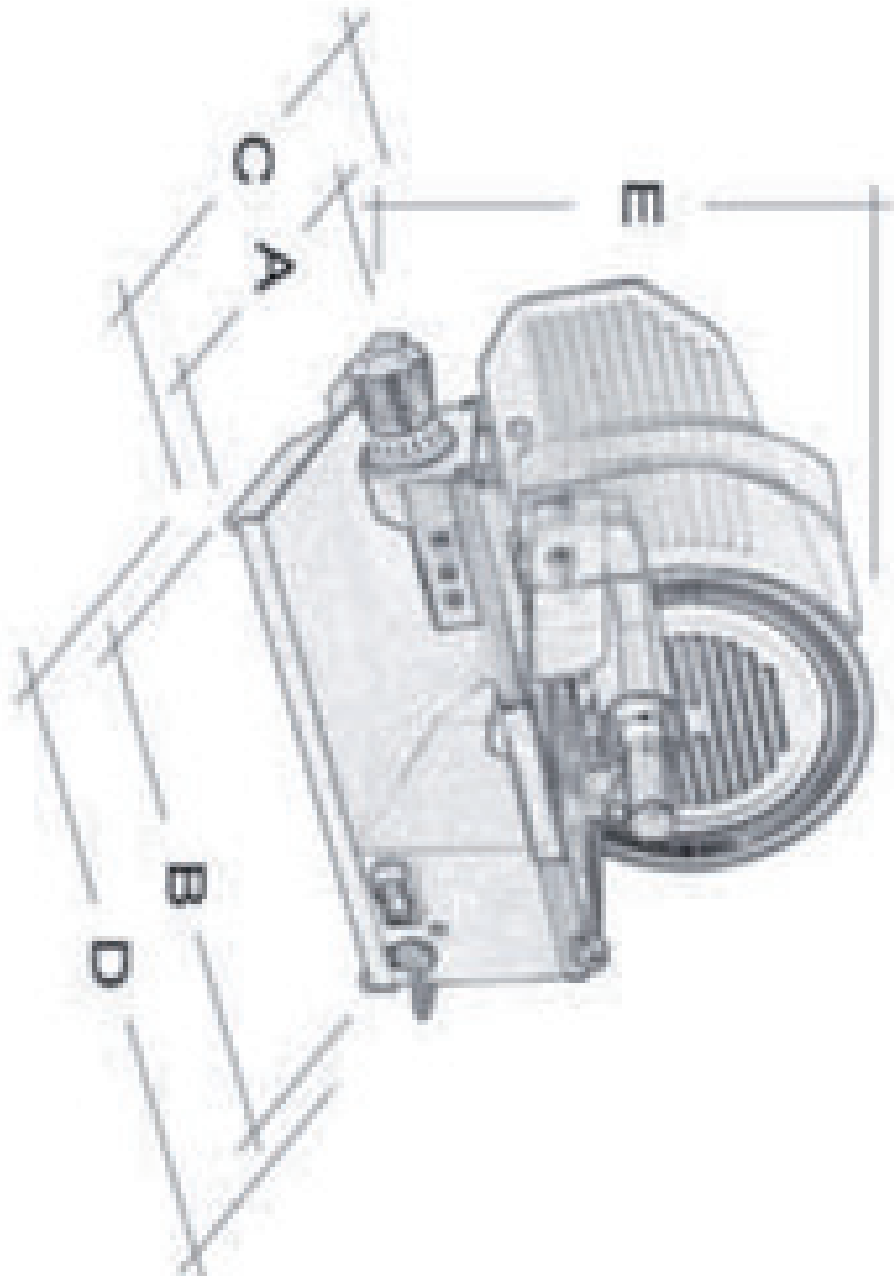
Technical drawing



Slicer gear, blade 275 mm teflon

Model	SAP Code	00014117
--------------	-----------------	----------

Model	A	B	C	D	E
GMS 220	275	375	380	445	370
GMS 250	275	430	425	525	380
GMS 275 XL	350	490	480	510	400
GMS 300	350	490	480	580	515



Technical data sheet

Technical parameters



Slicer gear, blade 275 mm teflon

Model

SAP Code

00014117

1. SAP Code:

00014117

2. Net Width [mm]:

535

3. Net Depth [mm]:

425

4. Net Height [mm]:

400

5. Net Weight [kg]:

18.00

6. Gross Width [mm]:

610

7. Gross depth [mm]:

530

8. Gross Height [mm]:

560

9. Gross Weight [kg]:

25.00

10. Device type:

Electric unit

11. Material:

Aluminium

12. Power electric [kW]:

0.220

13. Loading:

230 V / 1N - 50 Hz

14. Control type:

Mechanical

15. Safety cover:

transparent plexiglass

16. Safety element:

motor with fan and overheating protection
stainless steel blade
guard
transparent finger protection

17. Suitable consumer:

suitable for catering operations

18. Engine protection:

fan and overheating protection

19. Adjustable feet:

Yes

20. Main switch:

Yes

21. Transfer type:

Snail

22. Blade type:

Teflon

23. Blade diameter [mm]:

275

24. Useful Cut [mm]:

230 x180

25. On/Off button:

Yes

26. Continuous work limit:

running time without limitation

Technical data sheet

Technical parameters



Slicer gear, blade 275 mm teflon

Model

SAP Code

00014117

27. Removable moving table:

Yes

28. Anti-adhesive blade treatment:

Yes

29. Table position:

Oblique

30. Blade cover material:

Stainless steel

31. Sharpening device:

Additional included in the price

32. Blade hardness:

58-59 HRC

33. Cutting thickness [mm]:

0 - 14